



Phone (800) 981-1540 | Fax (715) 254-0996  
 sales@kimobility.com | www.kimobility.com



Company:	Ship To:		
Account Number:	Date:	Address:	
Quote:	PO Number:	City:	State:
ATP:	Zip:	Phone:	
Marked For:	Email/Fax:		
Associated Quote/Order#:		Effective: 7/21/2025	

## Power Assist

Twist Drive System (E0986) \$7950  
 Includes Multi-Function Toggle Controller, Removable Li-ion Battery - 36V, 4Ah, Twist Carry Bag, and mounting systems.  
 Weight Capacity: Front - 265lb (120 kg), Rear - 309lb (140 kg).

### Controller Mounting Position

*If no selection is made Right Side Position will be used*

Left Side N/C  
 Right Side N/C

### Hardware Options

*This hardware selection allows for rear, front, or both mounting positions of Twist. If no selection is made, both will be provided Refer to Quick-Check Guide on page 5 for guidance on mount position compatibility.*

Front and Rear Hardware N/C  
 Front Hardware N/C  
 Rear Hardware N/C

### Additional Accessories

Attendant Controller \$315  
 Handlebar System (K0108) \$495  
 Twist Carry Bag \$195  
 Handlebar and Front Mount Connector Carry Bag \$195  
 Removable Li-ion Battery - 36V, 4Ah \$595

## Setup Options

*For Custom Settings complete the chart(s) below. Selection made indicates maximum performance level. Selection should be made according to client capabilities, use environment, etc. Setting can be changed in Klaxon app. If no selection is made Twist will be set to defaults presented below.*

Default Settings N/C  
 Custom Settings N/C

### Controller Setup Options

Push to Start - Force Required										
Adjusts the initial push force needed before the motor begins to assist. Lower values mean the Twist responds to lighter pushes; higher values mean it responds only to heavier pushes. At the highest setting, push activation is deactivated.										
Applicable Modes: Front										
Default: 10										
0	1	2	3	4	5	6	7	8	9	10
Manual Rim Braking - Force Required										
Adjusts the force required to manually brake using the wheelchair's rims. Lower values mean less force is needed to initiate braking, but may result in false detections over bumps or gaps. Higher values require more force to trigger braking.										
Applicable Modes: Front and Rear										
Default: 5										
0	1	2	3	4	5	6	7	8	9	10
Turning Speed Reduction										
Adjusts how much the Twist reduces speed when steering.										
Applicable Modes: Front										
Default: 0										
0	1	2	3	4	5	6	7	8	9	10

HCPCS Codes provided are based on code verification by the PDAC or our interpretation of the code definitions.  
 Proper use of HCPCS Codes does not ensure coverage or payment. For coverage information, verify the appropriate payer's coverage policy.  
**DCN1355.1 Pricing and specifications subject to change without notice.**



## Controller Setup Options Continued

### Electronic Brake Strength

Controls how much electronic braking is applied during deceleration. Lower values result in more gradual stops; higher values produce more immediate braking. Available in front-mount only.

Applicable Modes: Front

Default: 5

	1	2	3	4	5	6	7	8	9	10
--	---	---	---	---	---	---	---	---	---	----

### Acceleration Rate

Defines how quickly the Twist accelerates or decelerates in Variable Speed Mode. Lower values are ideal for indoor or tight spaces. Higher values offer faster acceleration, better suited for outdoor use.

Applicable Modes: Front and Rear

Default: 2

0	1	2	3	4	5	6	7	8	9	10
---	---	---	---	---	---	---	---	---	---	----

### Maximum Speed

Sets the top speed limit for the Twist in Variable Speed Mode. If front-mounted, a safe speed limit is set at 4 mph. Rear-mounted increases it to 6 mph.

Applicable Modes: Front and Rear

Default: 6 mph

	1	2	3	4	5	6				
--	---	---	---	---	---	---	--	--	--	--

### Adaptive Drive Control

Adjusts how the Twist dynamically responds to user weight, input and terrain. Lower values improve control; higher provide more power.

Applicable Modes: Front and Rear

Default: 1

	1	2	3	4	5	6	7	8	9	10
--	---	---	---	---	---	---	---	---	---	----

## Handlebar Control Setup Options

### Handlebar Electronic Brake – Brake Lever

Adjusts braking strength when pressing the Handlebar's brake lever. Lower = more gradual. Higher = more immediate stop.

Applicable Modes: Front

Default: 10

0	1	2	3	4	5	6	7	8	9	10
---	---	---	---	---	---	---	---	---	---	----

### Handlebar Motor Brake – Release of Thumb Throttle

Controls braking when releasing the throttle. One-handed driving. Lower = gradual. Higher = immediate.

Applicable Modes: Front

Default: 0

0	1	2	3	4	5	6	7	8	9	10
---	---	---	---	---	---	---	---	---	---	----

### Handlebar Max Speed

Sets top speed when used with Handlebar. Default 6 mph, optional up to 9 mph.

Applicable Modes: Front

Default: 6 mph

	1	2	3	4	5	6				
--	---	---	---	---	---	---	--	--	--	--

### Handlebar Acceleration Rate

Controls how quickly Twist reaches speed with Handlebar. Slower = smoother.

Applicable Modes: Front

Default: 5

0	1	2	3	4	5	6	7	8	9	10
---	---	---	---	---	---	---	---	---	---	----



Phone (800) 981-1540 | Fax (715) 254-0996  
 sales@kimobility.com | www.kimobility.com



# TWIST

## Caregiver Control Setup Options

### Caregiver Electronic Brake Strength

Controls braking strength when releasing the throttle. Enables one-handed control—brake activates automatically on release. Lower = more gradual braking. May be beneficial for those with less posture control.

Applicable Modes: Front

Default: 1

	1	2	3	4	5	6	7	8	9	10
--	---	---	---	---	---	---	---	---	---	----

### Caregiver Max Speed Level

Controls maximum speed in caregiver assist mode. Lower = safer in tight areas.

Applicable Modes: Front and Rear

Default: 3 mph

0	1	2	3							
---	---	---	---	--	--	--	--	--	--	--

### Caregiver Speed Regulation

Helps refine speed levels to match caregiver's walking pace.

Applicable Modes: Front and Rear

Default: 5

0	1	2	3	4	5	6	7	8	9	10
---	---	---	---	---	---	---	---	---	---	----

## Chair Specifications

*Refer to Quick-Check Guide on page 5 for wheelchair compatibility assessment.*

Make	
Model	

### Rear Wheel Size

22" (560 mm)	N/C
24" (610 mm)	N/C
25" (635 mm)	N/C
26" (660 mm)	N/C

### Seat Width

12"	N/C
13"	N/C
14"	N/C
15"	N/C
16"	N/C
17"	N/C
18"	N/C
19"	N/C
20"	N/C



## Front Mounting Hardware

### Inner Width Between Seat Frame Dimensions

Measure inner width between seat frames (callout A). Refer to diagrams at right to determine correct location of measurement based on chair frame type.

9" - 10.5" (230 - 270mm)	10.5" - 11.5" (271 - 290mm)	
11.5" - 14" (291 - 360mm)	14" - 19" (361 - 480mm)	
19" - 21" (481 - 540mm)		N/C

### Tube Profile

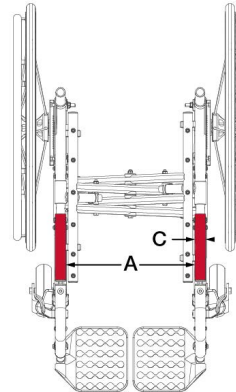
Round	Oval <sup>1</sup>	N/C
-------	-------------------	-----

<sup>1</sup> Only available with 1 1/4" (33mm)

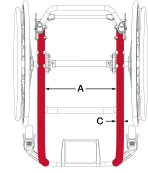
### Frame Diameter Dimensions

Measure frame diameter (callout C)

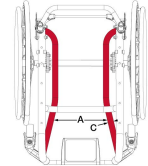
11/16" (18 mm)	3/4" (20mm)	7/8" (22 mm)	
1" (25 mm)	1 1/8" (28 mm)	1 3/16" (30 mm)	
1 1/4" (33 mm)	1 3/8" (35 mm)		N/C



Folding Frame



Mono Tube (Parallel) Frame



Dual Tube (Convergent) Frame

## Rigid Chair Hardware

### Frame Style

Mono Tube (Parallel)	N/C
Dual Tube (Convergent)	N/C

### Camber Tube Diameter Dimensions

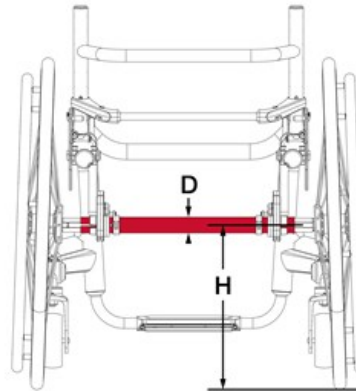
Measure camber tube diameter (callout D)

1" (25mm)	N/C
1 1/8" (28mm)	N/C
1 3/16" (30mm)	N/C
1 1/4" (32mm)	N/C
1 3/8" (35mm)	N/C

### Camber Tube Height Dimensions

Measure center line of axle to floor (callout H)

10.5" - 11.0" (265 - 279mm)	N/C
11.0" - 12.0" (280 - 303mm)	N/C
12.0" - 12.5" (304 - 314mm)	N/C
12.5" - 13.25" (315 - 334mm)	N/C



## Folding Chair Hardware

### Axle Plate Width Dimensions

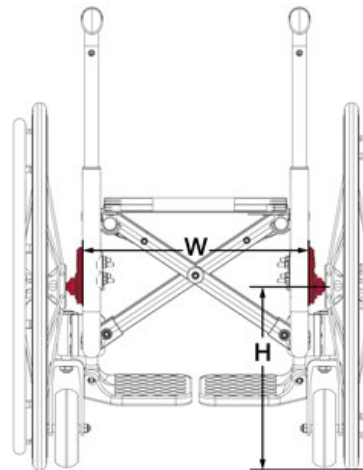
Measure distance between axle plates, from inside edge to inside edge (callout W)

13" - 14" (330 - 360mm)	\$295
14" - 15" (361 - 390mm)	\$295
15.5" - 16.5" (391 - 420mm)	\$295
16.5" - 17.5" (421 - 450mm)	\$295
17.5" - 18.5" (451 - 480mm)	\$295
19" - 20" (481 - 510mm)	\$295

### Wheel Axle Height Dimensions

Measure center line of axle to floor (callout H)

10.5" - 11.0" (265 - 279mm)	N/C
11.0" - 12.0" (280 - 303mm)	N/C
12.0" - 12.5" (304 - 314mm)	N/C
12.5" - 13.25" (315 - 334mm)	N/C



## Twist Compatibility Quick-Check

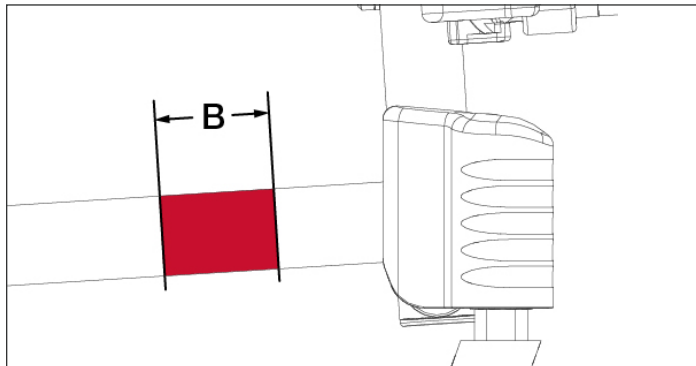
This tool is designed to help you confidently assess whether your current wheelchair setup is compatible with the Klaxon Twist.

**NOTE:** Selections on pages 1-4 for hardware and dimensional information represent compatibility based on chair size and setup. If the measurements that represent your chair are not offered, this indicates your chair size or setup is not compatible with the mounting type(s).

### Key Front Mount Requirements to Review on your Wheelchair

#### Folding Frames

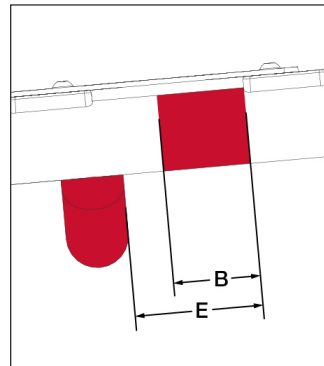
1. If retrofitting to a folding frame, we recommend you use the lower frame tube to mount. Restrictions for chair width can be determined by available hardware selections on pages 1 through 4. Your frame must have a minimum space of 1-3/4" (45mm) (callout B).



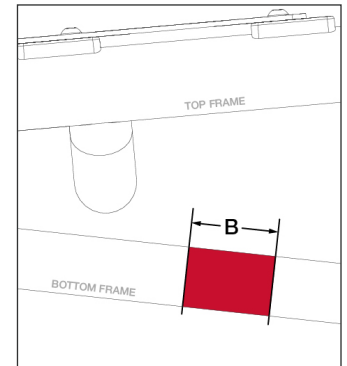
Folding Frame

#### Rigid Frames

1. Evaluate your monotube rigid frame to ensure there is at least 1-3/4" (40mm) of space on the frame to mount front mount hardware clamp (callout B). The front edge of the space must be at least 2-5/16" (59mm) from the frame crossbar (callout E).
2. If mounting to a Dual Tube frame, it is recommended to mount to lower frame. Simply check for space to mount clamp (callout B).



Monotube Rigid

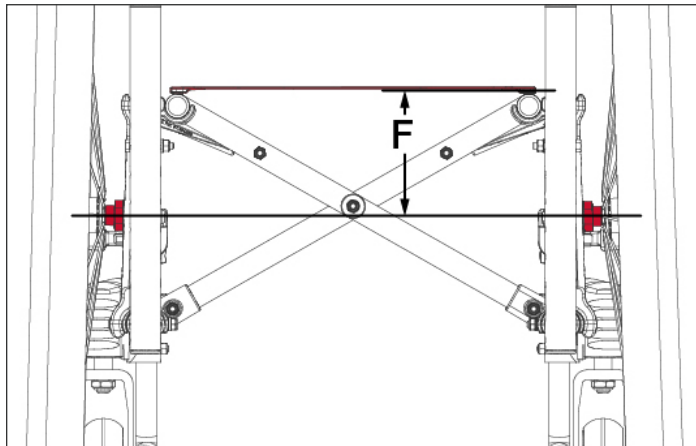


Dual Tube Rigid

### Key Rear Mount Requirements to Review on your Wheelchair

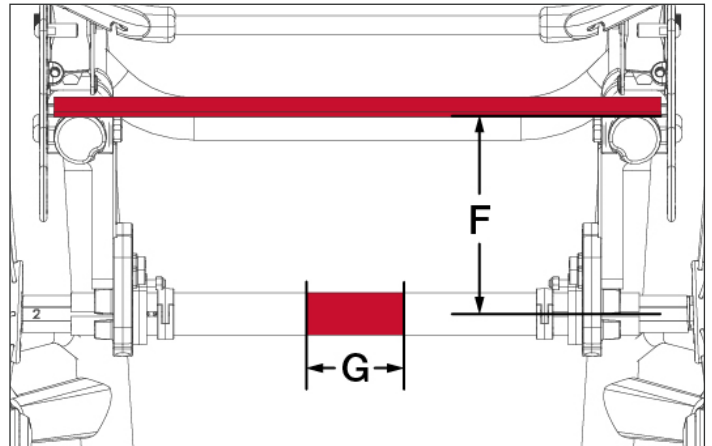
#### Folding Frames

1. Check for 3-3/4" (96mm) clearance from center line of the axle to underside of the seat sling (callout F).



#### Rigid Frames

1. Check for 1-3/4" (45mm) of space at center of camber tube (callout G) and 3-3/4" (96mm) clearance from center of camber tube to underside of the seat sling (callout F). The center portion must be parallel to the floor (callout G).



### Additional Compatibility Considerations

- Solid Seat Pans can create conflict with installation of front mount hardware and are therefore generally not compatible with this mount position.
- Spacers will be provided in some instances. Always refer to the manufacturer's instructions to ensure compatibility.